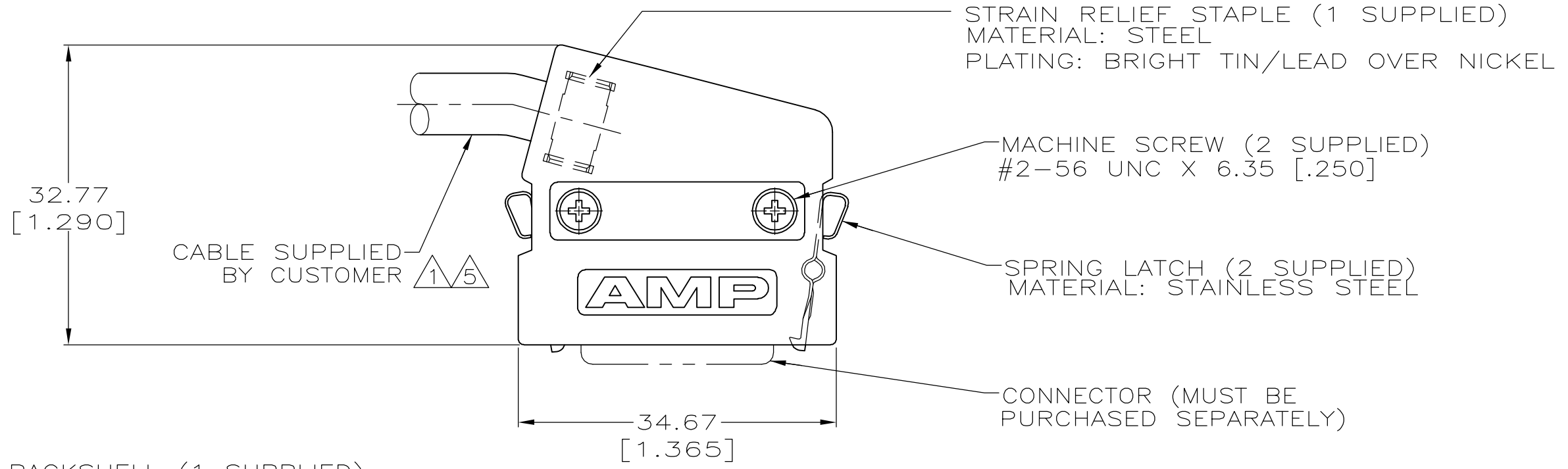
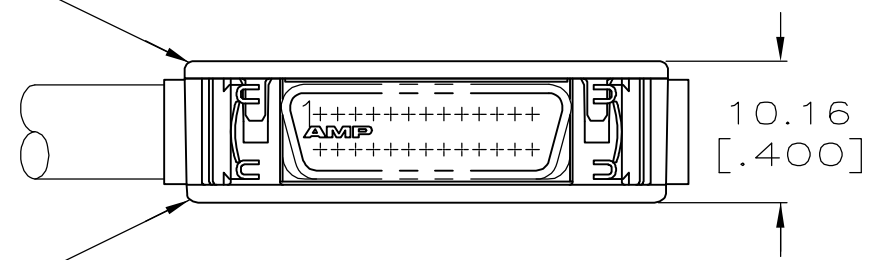


LOC	DIST	REVISIONS					
GP	00	P	LTR	DESCRIPTION	DATE	DWN	APVD
			E1	REVISED PER ECO-05-009847	10FEB06	BM	SS



UPPER BACKSHELL (1 SUPPLIED)
 MATERIAL: ZINC
 PLATING: NICKEL OVER COPPER



LOWER BACKSHELL (1 SUPPLIED)
 MATERIAL: ZINC
 PLATING: NICKEL OVER COPPER

	△4	△5	△6	749609-3
OBSOLETE	△4	△1		749609-2
	△3	△1		749609-1
	PACKAGING	MAX CABLE DIA.	PART NUMBER	

- △1 6.86 [.270] MAX CABLE DIA.
- 2. DIMENSIONS IN BRACKETS ARE IN INCHES.
- △3 PACKAGED ONE KIT PER BAG.
- △4 BULK PACKAGED.
- △5 8.13 [.320] MAX CABLE DIA.
- △6 PRELIMINARY, NOT RELEASED FOR PRODUCTION.

THIS DRAWING IS A CONTROLLED DOCUMENT.		DWN	M.MCCAFFREY	05/08/89	tyco Electronics	Tyco Electronics Corporation Harrisburg, PA 17105-3608		
DIMENSIONS: mm[INCHES]		CHK	M.E.SHIRK	05/11/89		INDIVIDUAL KIT, UNASSEMBLED, 26 POSITION, 75 DEGREE EXIT, UNKEYED, AMPLIMITE .050 Series		
TOLERANCES UNLESS OTHERWISE SPECIFIED:		APVD	-	-	NAME			
0 PLC ± -		PRODUCT SPEC	-	-	SIZE	CAGE CODE	DRAWING NO	RESTRICTED TO
1 PLC ± -		APPLICATION SPEC	-	-	A3	00779	C-749609	-
2 PLC ± -		WEIGHT	-	-	CUSTOMER DRAWING			
3 PLC ± 0.38 [.015]		CUSTOMER DRAWING			SCALE	2:1	SHEET	1 OF 1
4 PLC ± -								REV
ANGLES ± -								E1
MATERIAL -								
FINISH -								